

## Valves / Plumbing Equipment / Mix Valfi Karışım Vanası

**CONSTRUCTIVE PROPERTIES**

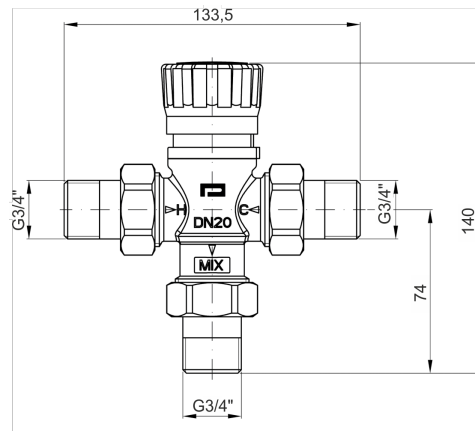
	STANDARD	OPTIONAL
Case	Brass Nickel Coated	-
Sealing	Viton	-
Installation Connection	G 3/4"	-

**USAGE PROPERTIES**

Max.Water Temp.	110 °C	-
Max.Pressure	10 bar	-



www.Laheghi.com



Model No: 1464010009

www.Laheghi.com